

2W-MOD2 & RRS-MOD WIRING

Maintenance signal is sent to separate zone and RRS-MOD is triggered from Bell/Alarm Output.

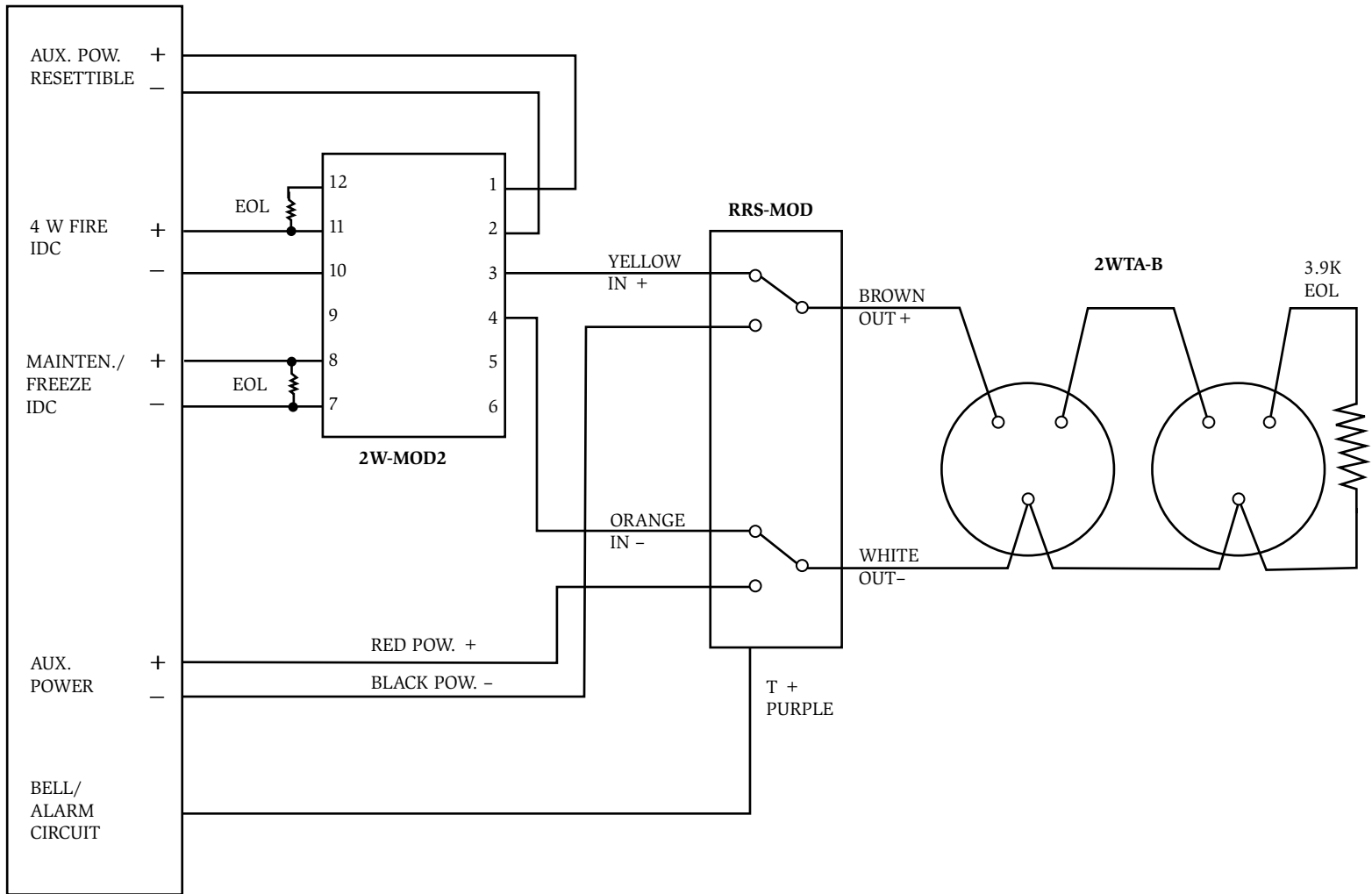


Figure 1

CONTROL
PANEL

2W-MOD2 & RRS-MOD WIRING

Maintenance signal is sent to separate zone and RRS-MOD is triggered from Alarm Relay Contact.

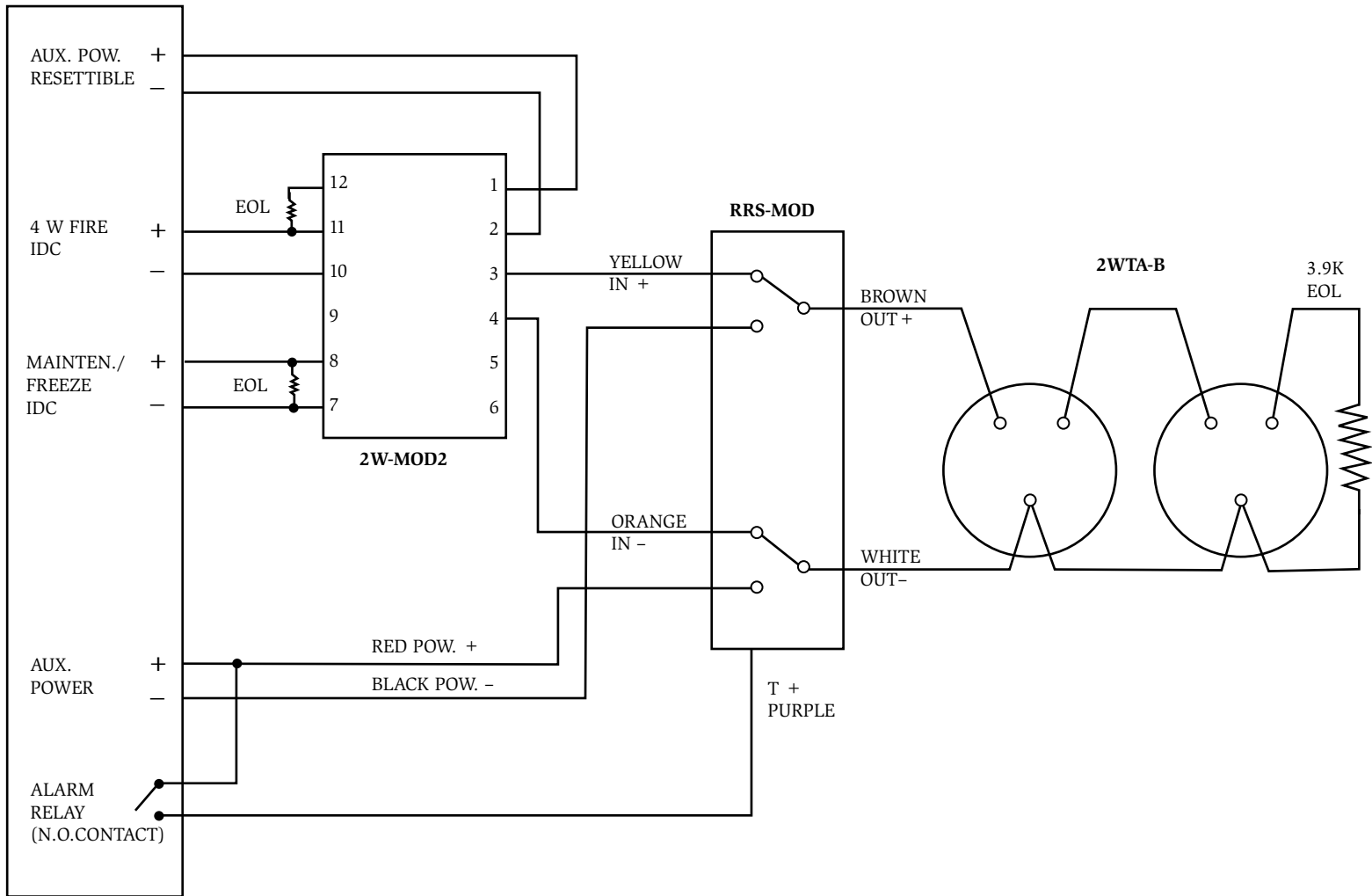


Figure 2

CONTROL
PANEL

2W-MOD2 & RRS-MOD WIRING

Maintenance signal is indicated at the panel as a fire trouble and RRS-MOD is triggered from Bell/Alarm Output.

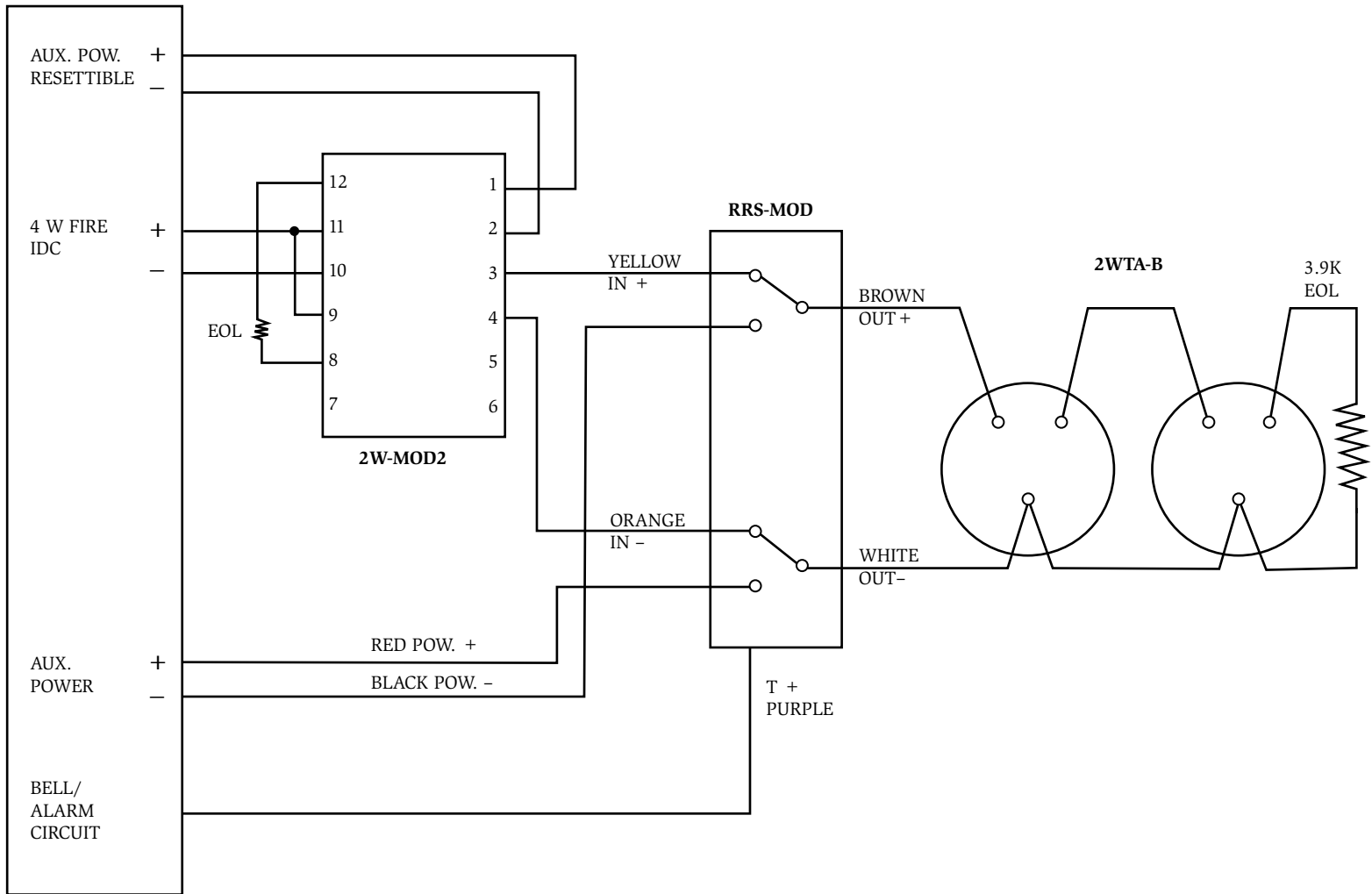


Figure 3

CONTROL
PANEL

2W-MOD2 & RRS-MOD WIRING

Maintenance signal is not sent to the panel and RRS-MOD is triggered from Bell/Alarm Output.

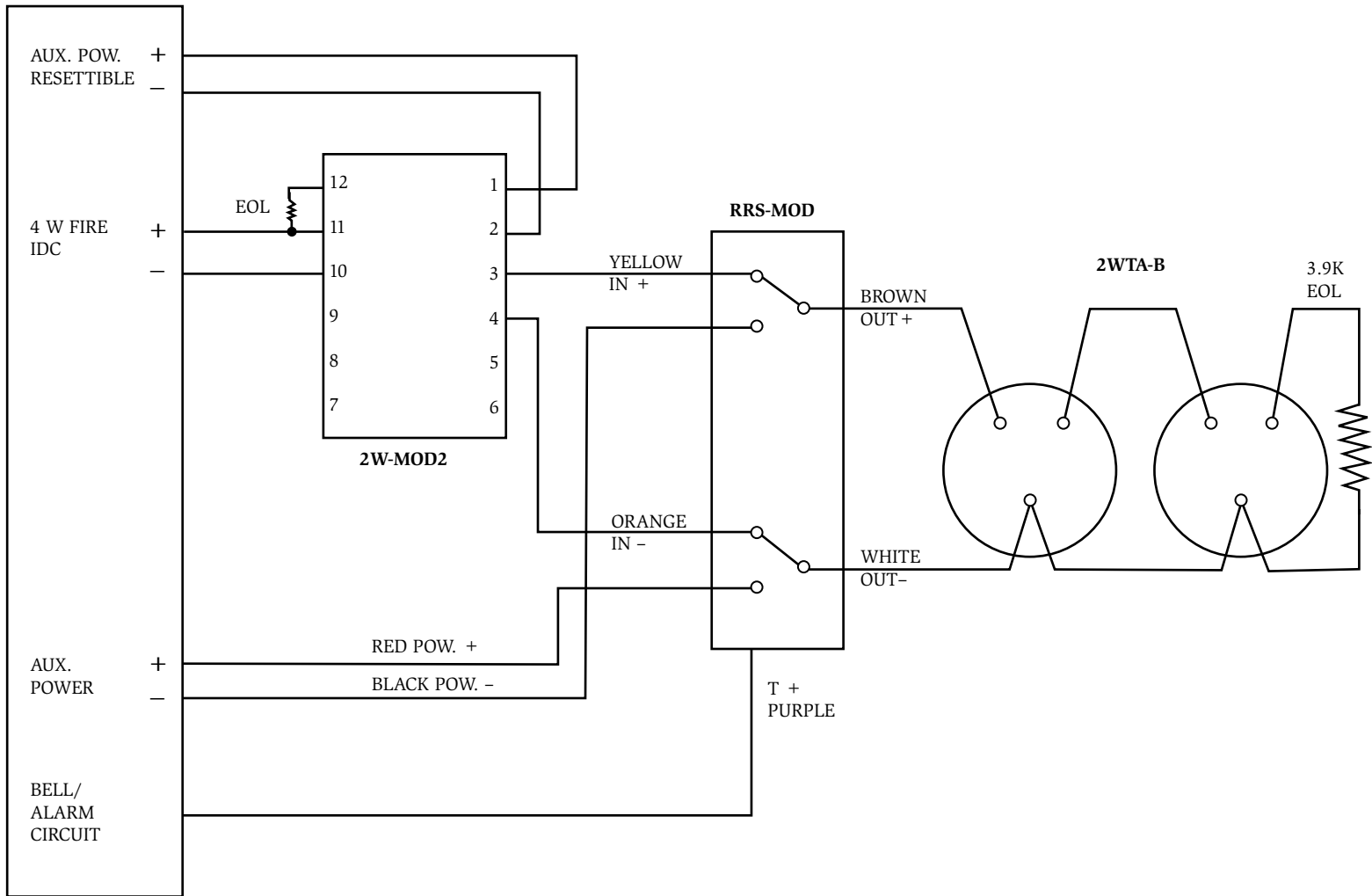


Figure 4

CONTROL
PANEL

2W-MOD2 & RRS-MOD WIRING

Maintenance signal is not sent to the panel and RRS-MOD is triggered from Alarm Relay Contact.

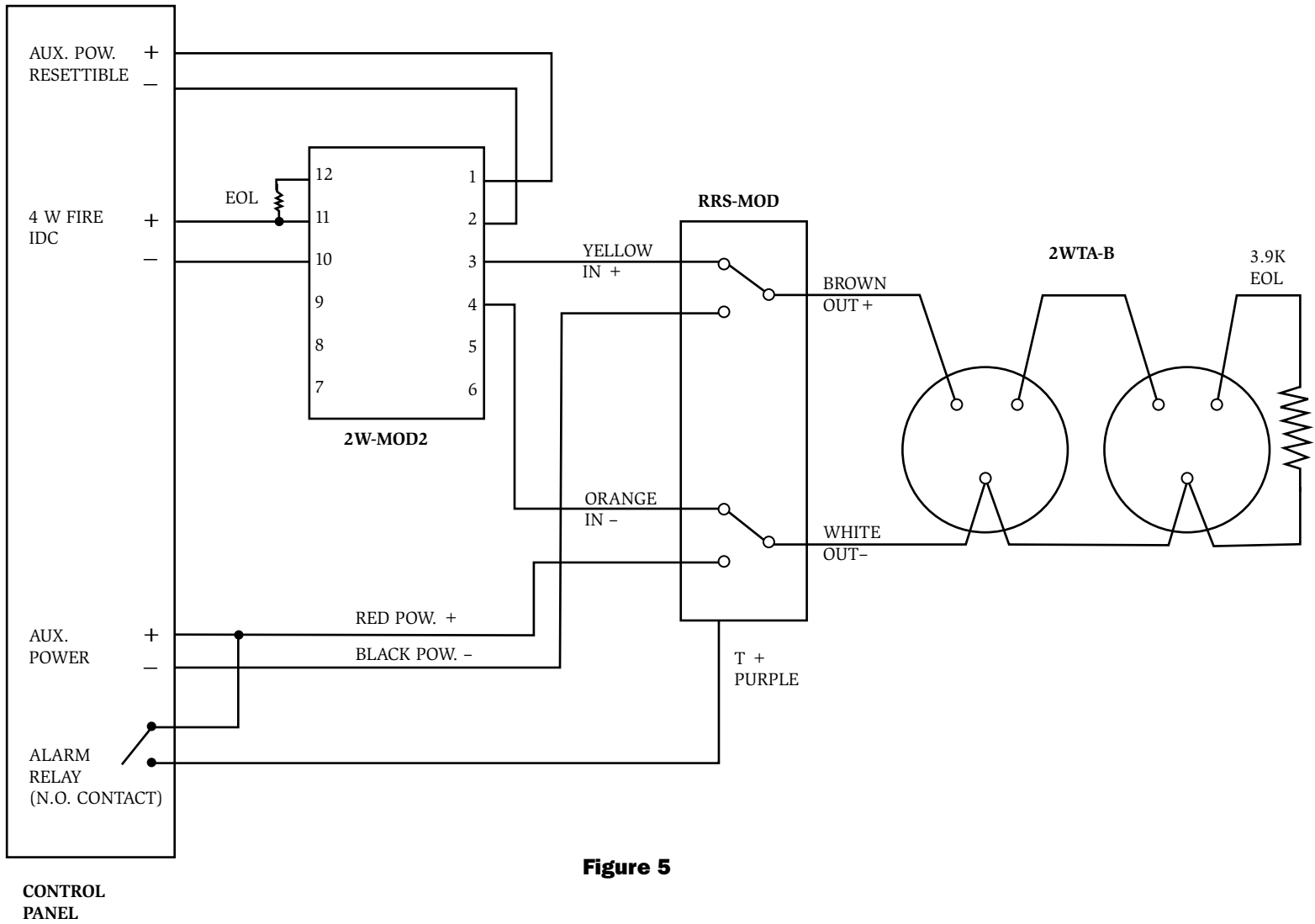


Figure 5

2W-MOD2 & RRS-MOD WIRING

Maintenance signal is indicated at the panel as a fire trouble and RRS-MOD is triggered from Alarm Relay Contact.

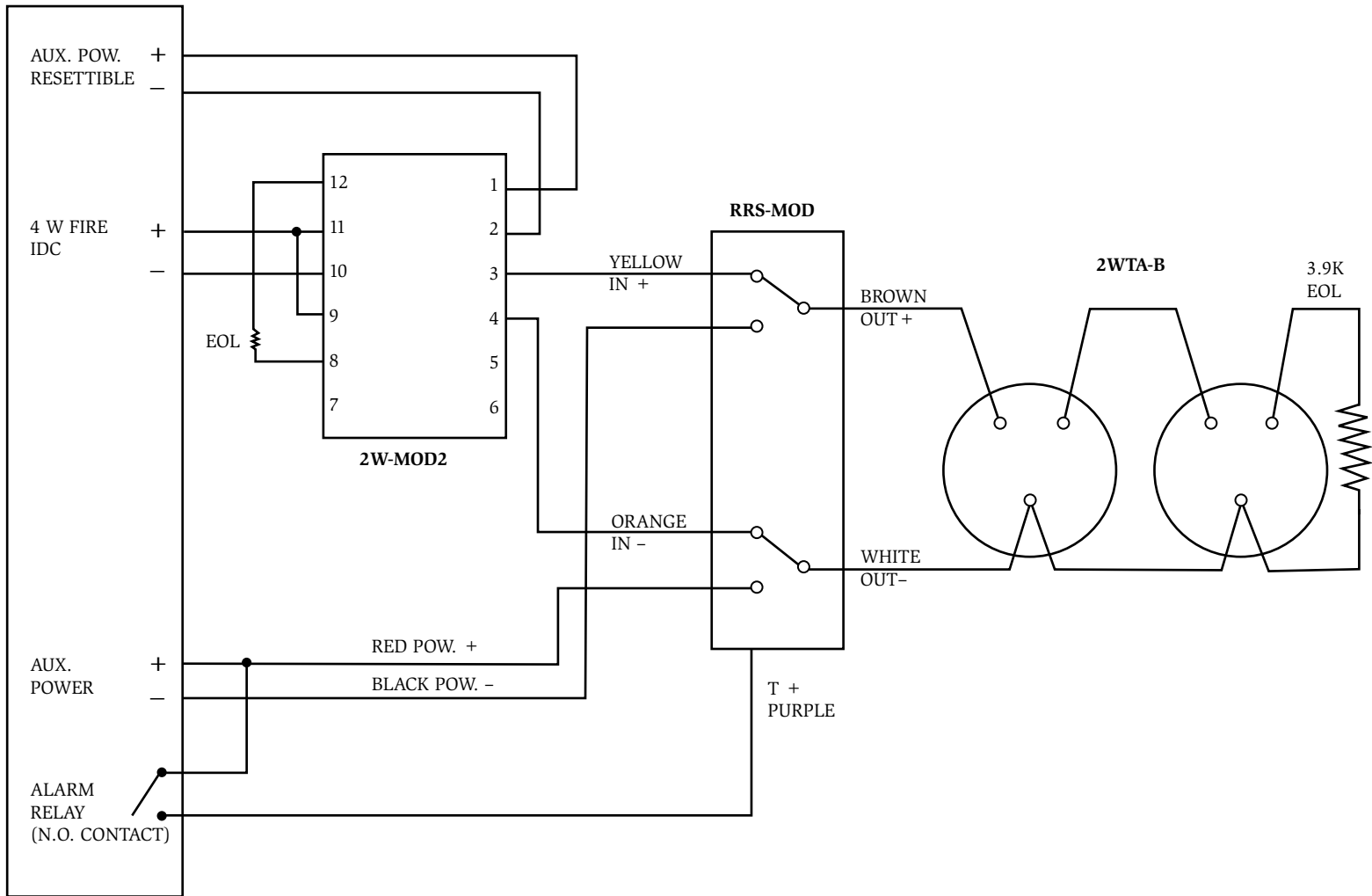


Figure 6

CONTROL
PANEL